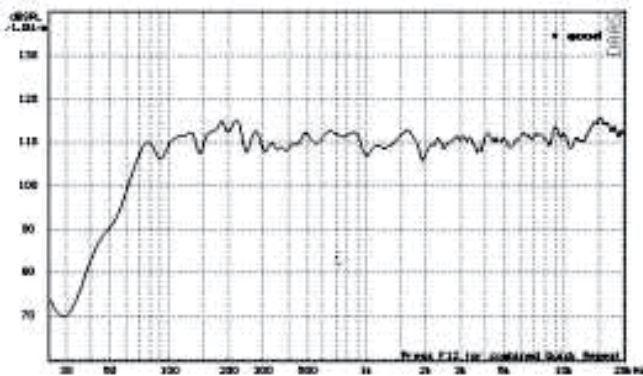
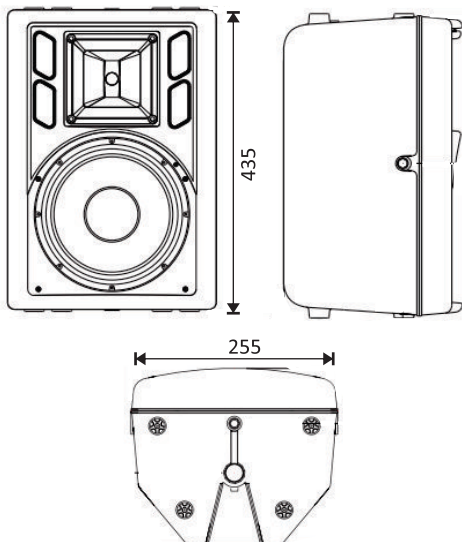




Frequency Response



Dimensions



HP-8A+

Product Description

Portable and installed plastic loudspeakers used in applications including sound reinforcement in Front of House and Foldback applications in Houses of Worship, Events, Clubs, Rehearsal Halls, etc. The HP series delivers extraordinary performance at unmatched value.

Applications

Houses of Worship, Rehearsal Halls, Events, Clubs, Ballrooms

Features

- High Output SPL and Sensitivity
- High power transducer
- Built in Bi-amp power amplifier module
- XLR input and output connectors
- Cabinet design for FOH and monitor use

Specifications

Rated Power	150W (RMS)
Construction	Moulded Polypropylene Enclosure
LF Driver	8", 1.5"VC, Ferrite Mag
HF Driver	1" Exit, 1"VC, Ferrite
Crossover	3.5 kHz
Frequency Response (-3dB)	65Hz - 18kHz
Maximum Peak Output	120 dB
Dispersion (H x V)	90° x 60°
Connector	2 x XLR; 1 x TS mic i/p
Packaging Dimensions (LxBxH) (cms)	33 x 34 x 50
Net Weight	9.5 kgs
Gross Weight	21 kgs (pair)