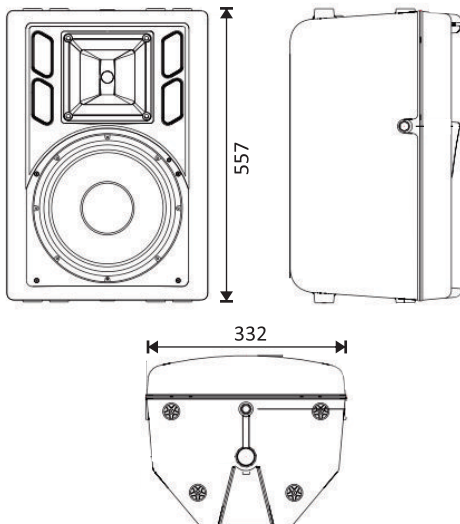




Frequency Response

Dimensions



HP-10A+

Product Description

Portable and installed plastic loudspeakers used in applications including sound reinforcement in Front of House and Foldback applications in Houses of Worship, Events, Clubs, Rehearsal Halls, etc. The HP series delivers extraordinary performance at unmatched value.

Applications

Houses of Worship, Rehearsal Halls, Events, Clubs, Ballrooms

Features

High Output SPL and Sensitivity
High power transducer
Built in Bi-amp power amplifier module
XLR input and output connectors
Cabinet design for FOH and monitor use

Specifications

Rated Power	250W (RMS)
Construction	Moulded Polypropylene Enclosure
LF Driver	10", 2"VC, Ferrite Mag
HF Driver	1" Exit, 1.5"VC, Ferrite
Crossover	2.8 kHz
Frequency Response (-3dB)	60Hz - 18kHz
Maximum Peak Output	124 dB
Dispersion (H x V)	80° x 60°
Connector	2 x XLR; 1 x TS mic i/p
Packaging Dimensions (LxBxH) (cms)	40 x 44 x 61
Net Weight	18 kgs
Gross Weight	20 kgs