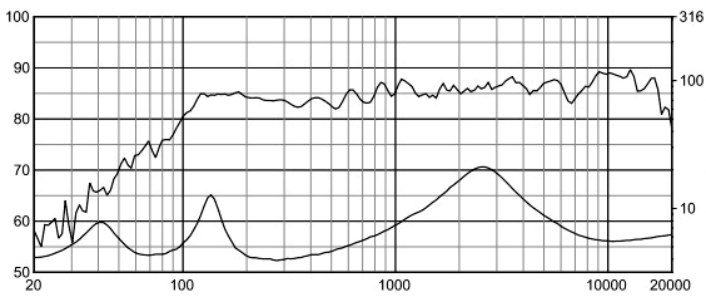
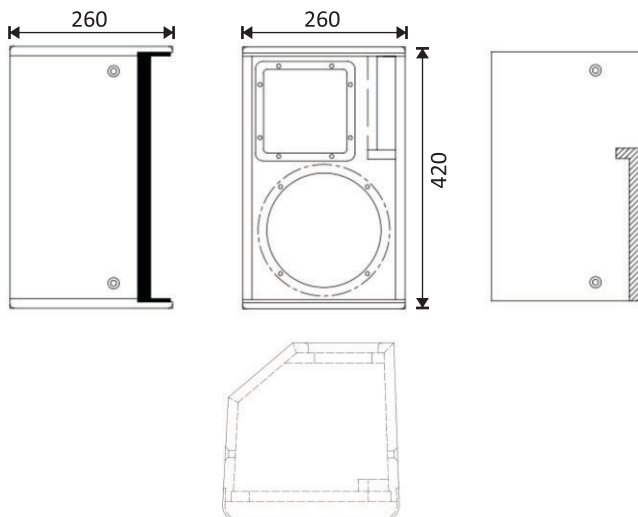


## Frequency Response



## Dimensions



## DVA-8

### Product Description

The new DVA Series Powered Loudspeakers family is built on the industry-leading innovation and Dynatech audio engineering to offer the most advanced professional portable powered loudspeakers available today. A versatile high-end choice for live entertainment venues, rental companies, pro musicians and DJs, and installed sound, The DVA Series Powered Loudspeakers family features four, two way models (8-inch, 10-inch, 12-inch, and 15-inch, all with a precision HF compression driver).

### Applications

Houses of Worship, Rehearsal Halls, Events, Clubs, Ballrooms

### Features

- High Output SPL and Sensitivity
- High power transducer
- Built in Bi-amp power amplifier module
- XLR input and output connectors
- Portable system (stand) or permanent installation (wall, ceiling)

### Specifications

Rated Power	150W (RMS)
Construction	Multilayered plywood
LF Driver	8", 1.5VC, Ferrite
HF Driver	1" Exit, 1"VC, Ferrite
Crossover	3 kHz
Frequency Response (-3dB)	60Hz - 18kHz
Maximum Peak Output	120 dB
Dispersion (H × V)	90° × 60°
Connector	2 × XLR; 1 × TS mic i/p
Packaging Dimensions (L×B×H)(cms)	33 × 34 × 50
Net Weight	11 kgs
Gross Weight	13 kgs