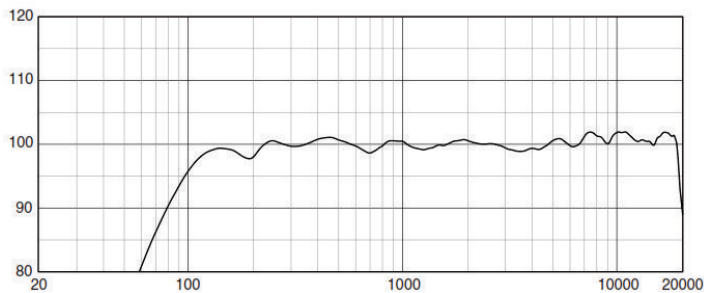
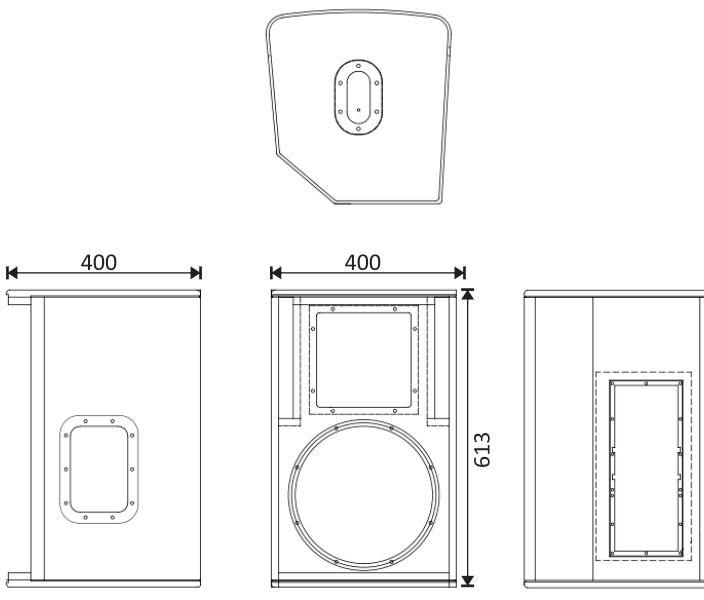




## Frequency Response



## Dimensions



## DVA-12

### Product Description

The new DVA Series Powered Loudspeakers family is built on the industry-leading innovation and Dynatech audio engineering to offer the most advanced professional portable powered loudspeakers available today. A versatile high-end choice for live entertainment venues, rental companies, pro musicians and DJs, and installed sound, The DVA Series Powered Loudspeakers family features four, two way models (8-inch, 10-inch, 12-inch, and 15-inch, all with a precision HF compression driver).

### Applications

Houses of Worship, Rehearsal Halls, Events, Clubs, Ballrooms

### Features

- High Output SPL and Sensitivity
- High power transducer
- Built in Bi-amp power amplifier module
- XLR input and output connectors
- Portable system (stand) or permanent installation (wall, ceiling)

### Specifications

Rated Power	350W (RMS)
Construction	Multilayered plywood
LF Driver	12", 2.5VC, Ferrite Magnet
HF Driver	1" Exit, 1.75"VC, Ferrite Mag
Crossover	2 kHz Digital With EQ Presets
Frequency Response (-3dB)	50Hz - 18kHz
Maximum Peak Output	129 dB
Dispersion (H x V)	80° x 60°
Connector	1 x XLR; 1 x combo TS XLR
Packaging Dimensions (LxBxH)(cms)	45 x 47 x 69
Net Weight	28 kgs
Gross Weight	31 kgs