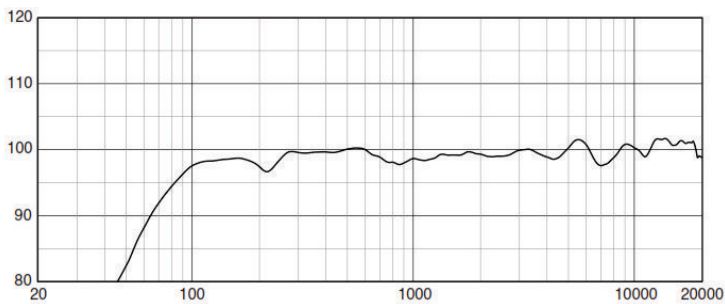
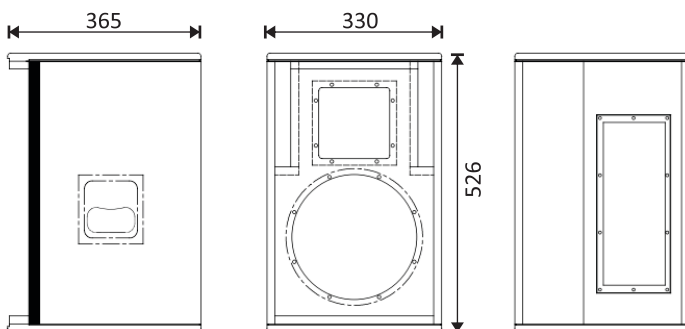
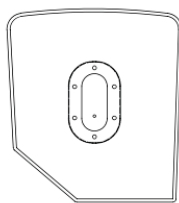


Frequency Response



Dimensions



DVA-10

Product Description

The new DVA Series Powered Loudspeakers family is built on the industry-leading innovation and Dynatech audio engineering to offer the most advanced professional portable powered loudspeakers available today. A versatile high-end choice for live entertainment venues, rental companies, pro musicians and DJs, and installed sound, The DVA Series Powered Loudspeakers family features four, two way models (8-inch, 10-inch, 12-inch, and 15-inch, all with a precision HF compression driver).

Applications

Houses of Worship, Rehearsal Halls, Events, Clubs, Ballrooms

Features

- High Output SPL and Sensitivity
- High power transducer
- Built in Bi-amp power amplifier module
- XLR input and output connectors
- Portable system (stand) or permanent installation (wall, ceiling)

Specifications

Rated Power	250W (RMS)
Construction	Multilayered plywood
LF Driver	10", 2VC, Ferrite Magnet
HF Driver	1" Exit, 1.75"VC, Ferrite
Crossover	2.4 kHz
Frequency Response (-3dB)	55Hz - 18kHz
Maximum Peak Output	125 dB
Dispersion (H × V)	80° × 60°
Connector	2 × XLR; 1 × TS mic i/p
Packaging Dimensions (L×B×H)(cms)	40 × 44 × 61
Net Weight	19 kgs
Gross Weight	21 kgs