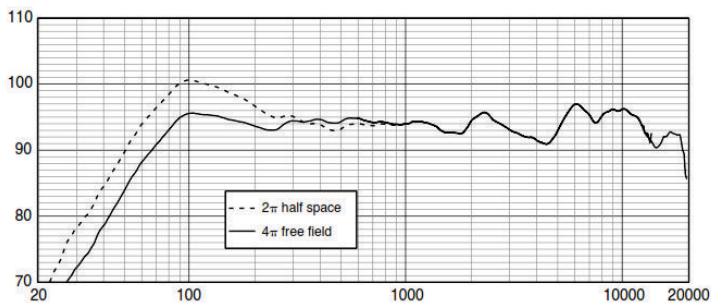
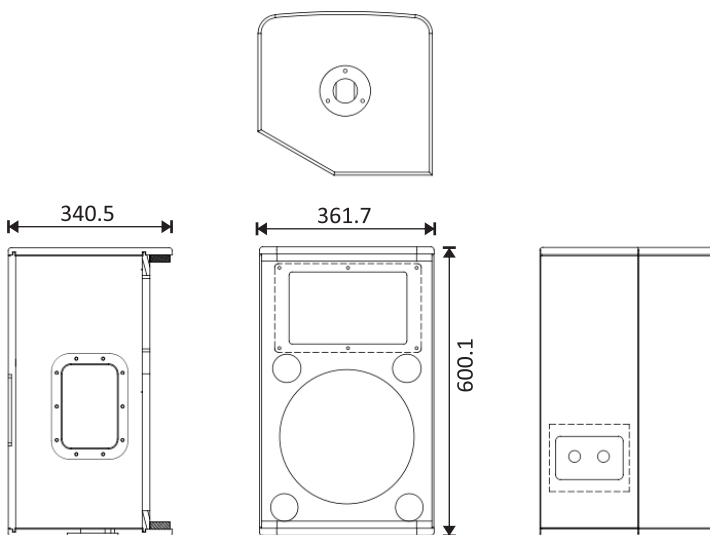




Frequency Response



Dimensions



DEL-112

Product Description

Portable and installed PA loudspeakers used in applications including sound reinforcement in Houses of Worship, Events, Clubs, Rehearsal Halls and Ballrooms etc. The DEL Series deliver extraordinary performance at unmatched value.

Applications

Houses of Worship, Rehearsal Halls, Events, Clubs, Ballrooms

Features

- High Output SPL and Sensitivity
- High Power low frequency transducer
- Multi purpose cabinet design
- Use as a main system with or without sub speaker

Specifications

Rated Power	350W (RMS)
Construction	15mm multilayered Plywood
LF Driver	1×12", 2.5"VC, Ferrite Magnet
HF Driver	1×1.4" exit, 1.75"VC, Ferrite Magnet
Crossover	2.6 kHz
Frequency Response (-3dB)	65Hz - 17 kHz
Maximum Peak Output	133 dB
Rated Impedance	8Ω
Dispersion (H × V)	90° × 50°
Connector	2 × NL4 Speakon
Packaging Dimensions (L×B×H)(cms)	42 × 40 × 67
Net Weight	20 kgs
Gross Weight	22 kgs